

PD2.5 - Projector Drop Mechanism

Technical Sheet

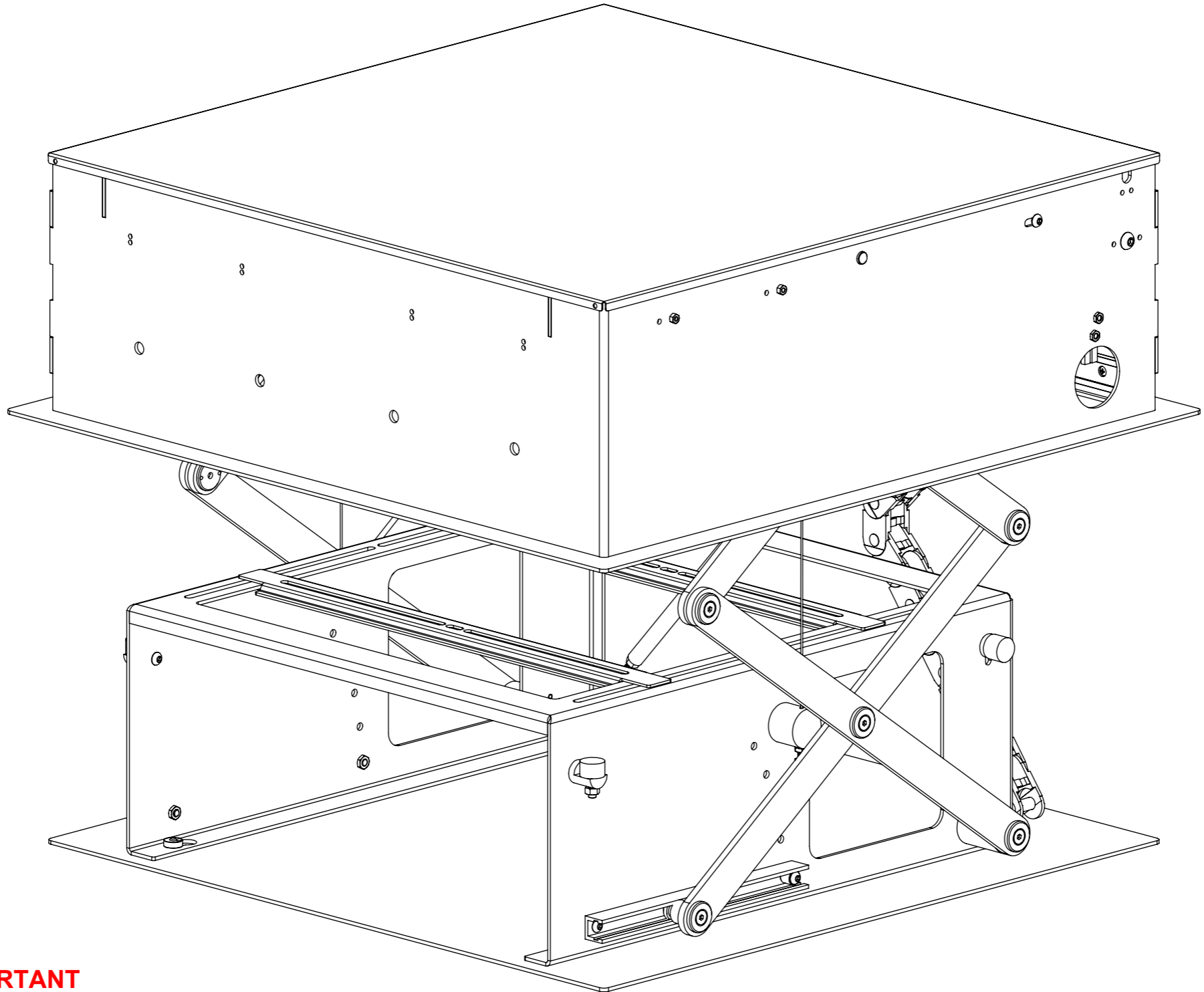


DESIGN HIGHLIGHTS

- Quiet smooth action with easily adjustable travel
- Full cable management
- Stylish look and finished in satin white with brushed aluminium parts
- Wide range of mounting options
- Standard control box can control third party product such as projector screen

OPTIONS

- Any RAL colour available
- PD1 and PD2 mechanisms available for smaller projector installations
- PD3 mechanism available for larger projector installations
- Product dimensions can be customised to suit almost any projector setup



FUNCTION

An electric projector drop mechanism that lowers a projector from within a ceiling void.

Allows a projector as tall as 195mm (7.7") to fit in a ceiling void only 211mm (8.3") high.

SUITABILITY

Requires a ceiling void height of 211mm (8.3") and a minimum distance between joists of 680mm (26.8").

Maximum projector size is 505mm (19.9") wide; 560mm (22") long; 195mm (7.7") high.

Maximum projector weight is 15Kg [33lb]

These sizes must include connectors and allowance for air vents etc.

SPECIFYING

Check height of ceiling void and distance between joists.

Check ceiling height and desired drop position.

Check whether the tilt function could be used.

CONTROL

Supplied with basic infrared remote. Can be learnt by many learning remotes.

Also has switch control and RS232 so can be operated by relays, switches, Crestron / AMX or Lutron systems.

WARNING

It is the responsibility of the installer to warn all potential end users of the dangers of interfering with mechanisms during operation

IMPORTANT

Mechanisms which lift or move weights need to be checked on a yearly basis for any damage which may result in an accident



Design Highlights

Quick and simple mechanism installation.

Available with three different drop options. Standard drop is 400mm (15.75"), Long drop is 700mm (27.5") and Extra Long drop is 940mm (37").

Projector carriage can be tilted up to 10° once dropped.

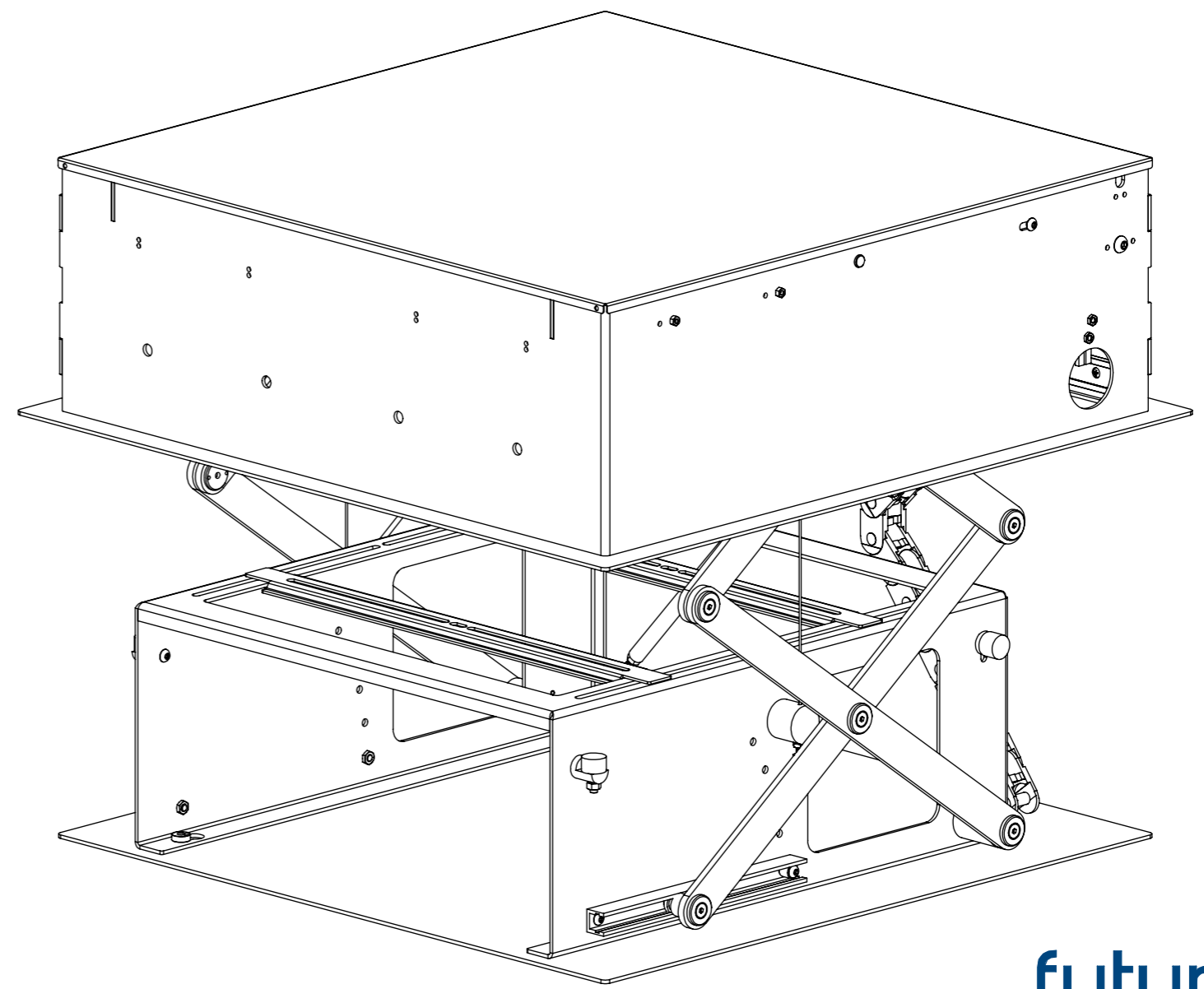
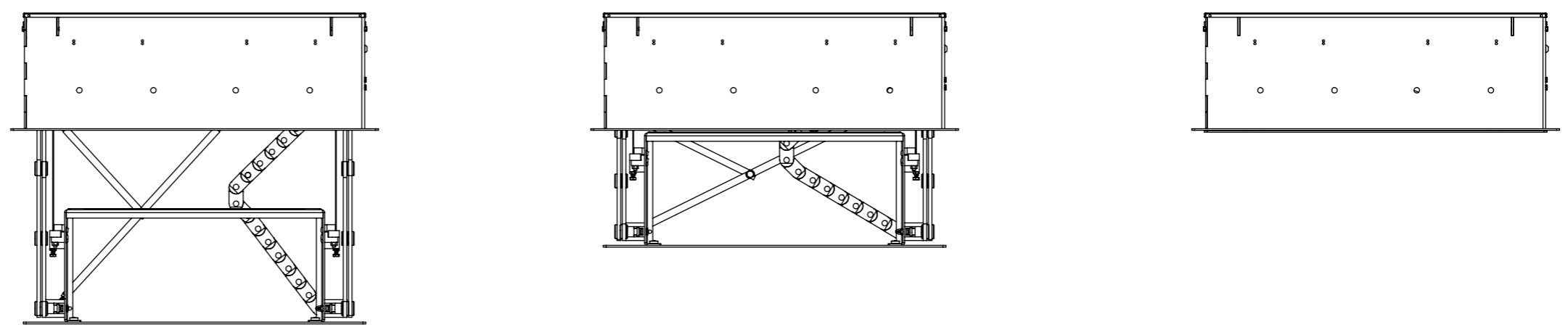
Full cable management keeps all power and signal cables as neat and tidy as possible.

Top cover panel finishes internal void in matching white satin finish.

Slotted mounting system provides easily adjustable installation for almost any projector.

Standard control box can also control a third party product such as a projector screen.

VIEWS BELOW SHOW ACTION FROM IN POSITION TO DOWN POSITION

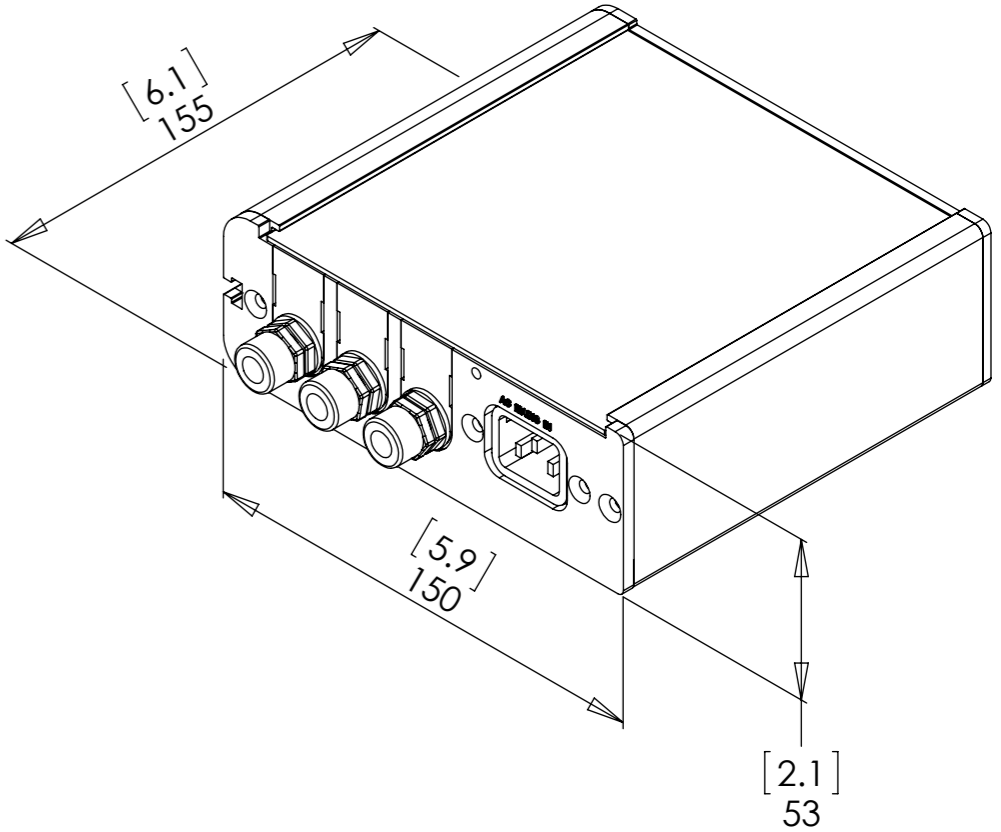
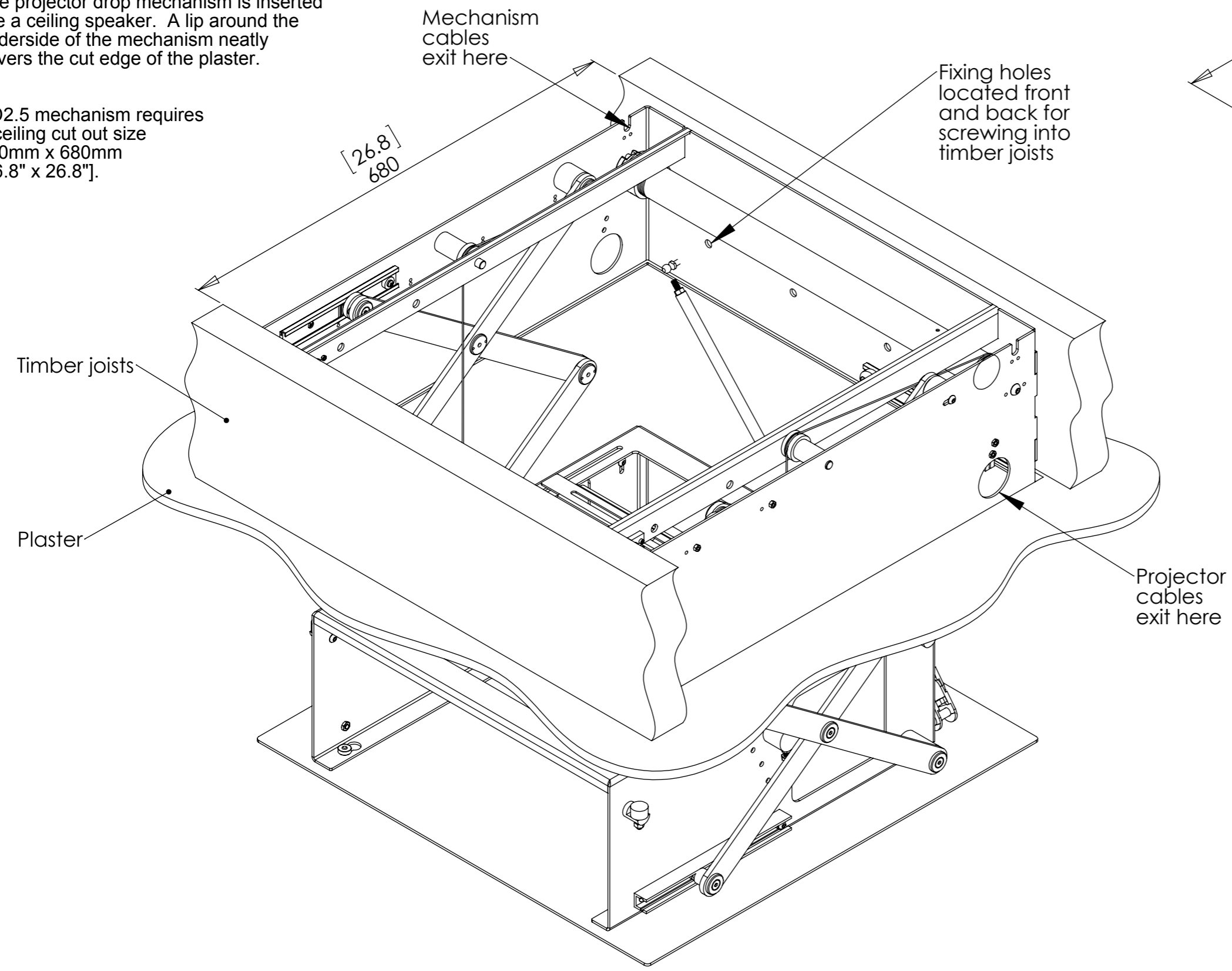


Ceiling Details

Below shows the PD2 installed in a ceiling. The top cover panel is not shown to aid clarity.

The projector drop mechanism is inserted like a ceiling speaker. A lip around the underside of the mechanism neatly covers the cut edge of the plaster.

PD2.5 mechanism requires a ceiling cut out size 680mm x 680mm [26.8" x 26.8"].



CONTROL BOX

The size of the mechanism control box is shown above. This must be located in an easily accessible location.

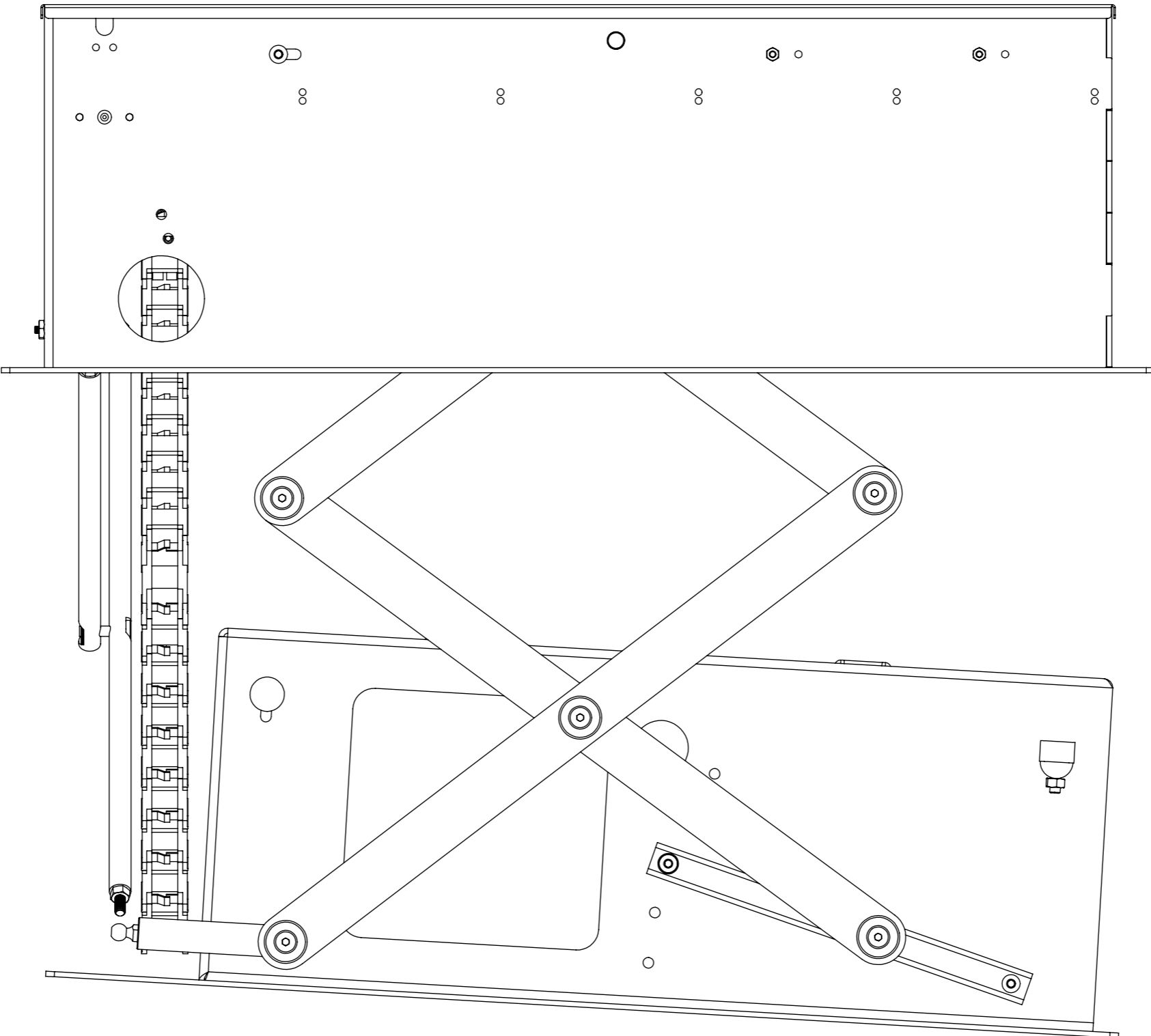
In the cases where the mechanism cables need to be extended, a four core mains cable and a three core low voltage cable need to be run from the mechanism to the control box.

The control box can also be used to control an electric projector screen (standard four core mains type).

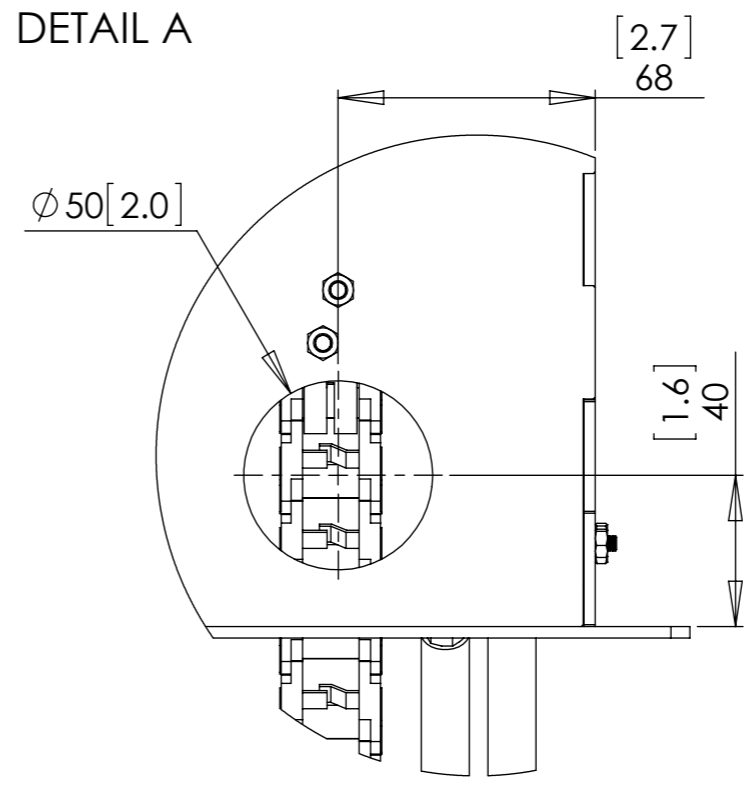
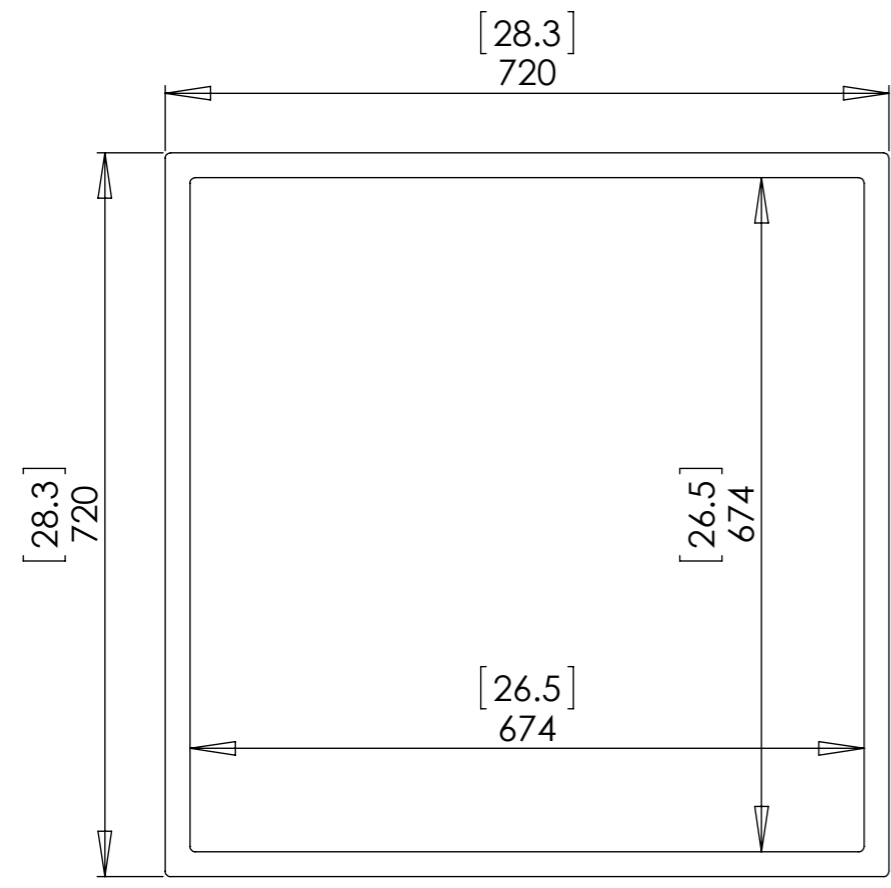
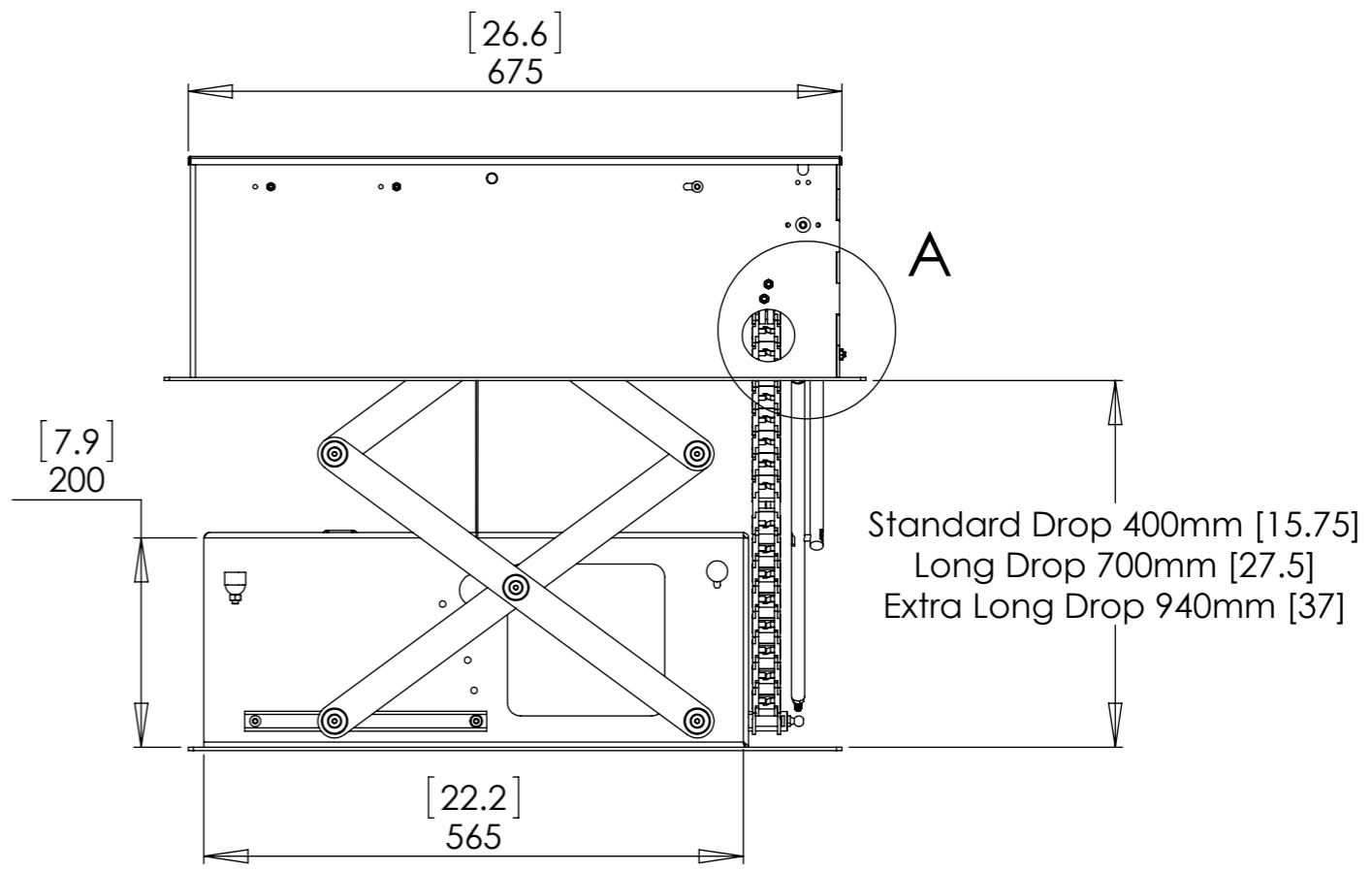
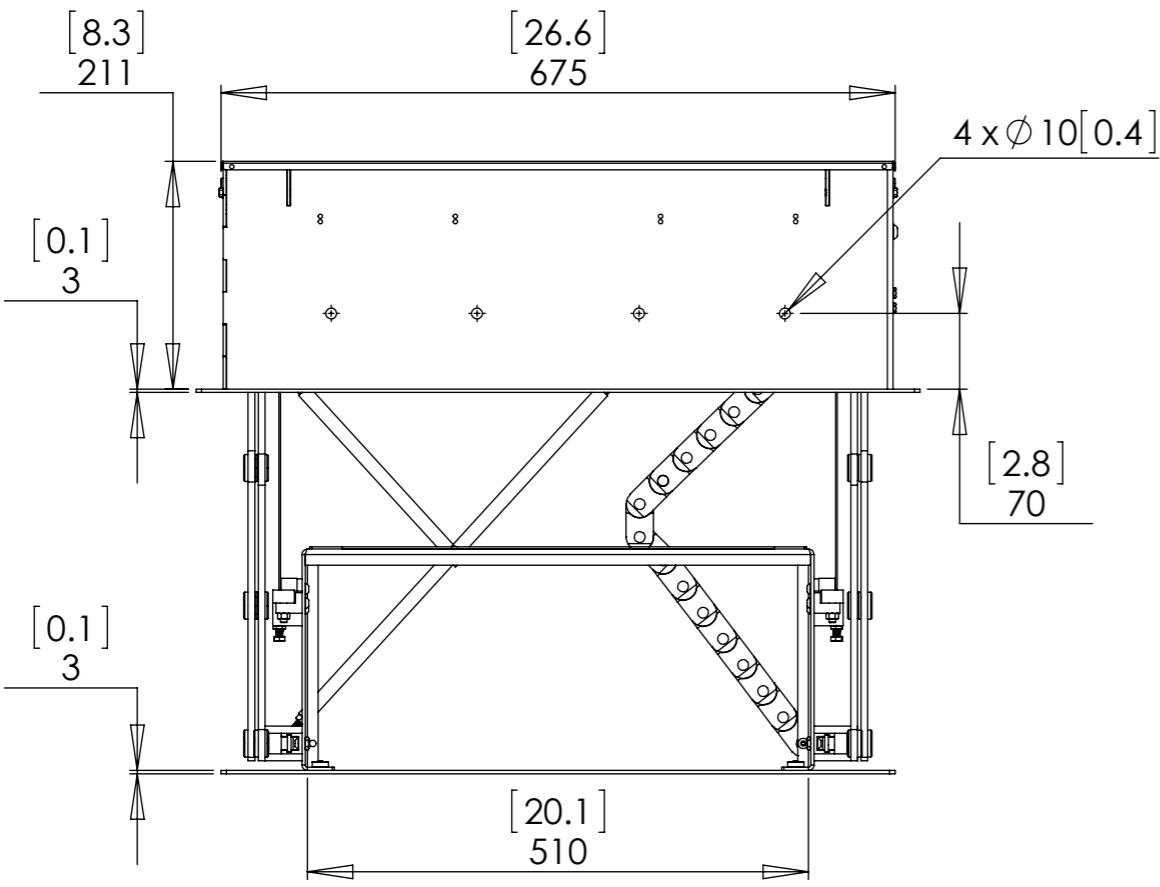
Ceiling Details

By undoing and repositioning one bolt on each side, a significant tilt angle can be achieved.

This is useful when using the projector drop in rooms with high ceilings where the projector is a lot higher than the screen being viewed.



KEYSTONE
Using the tilt adjustment means the projector image must be altered using the keystone function on the projector.



NOTE: All dimensions shown in mm [inches]