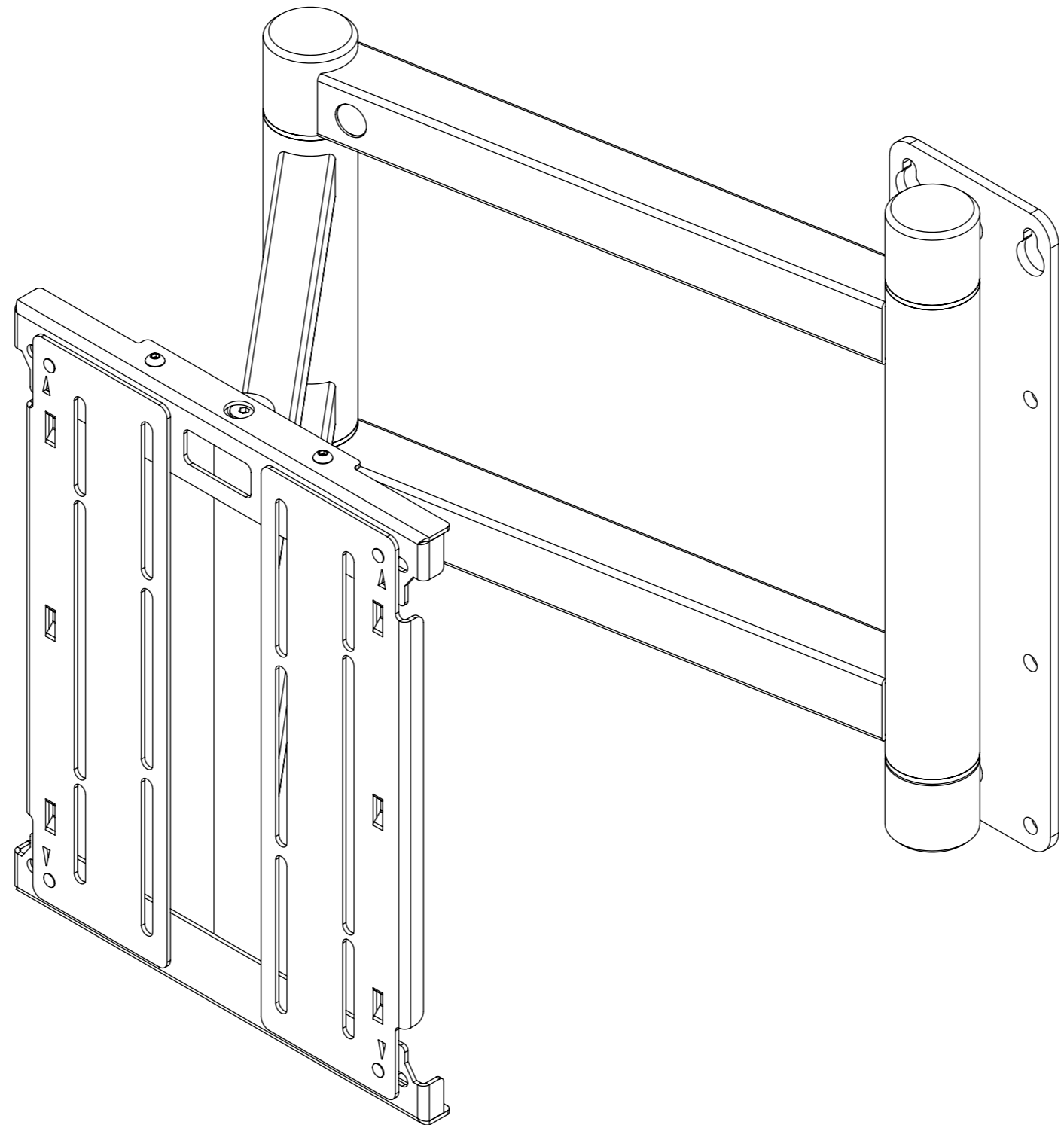


DA1

DOUBLE ARM BRACKET



future automation



DA1

DOUBLE ARM BRACKET



SPECIFICATION	MEASUREMENTS
Maximum Screen Size	32" - 43"
Maximum Weight Capacity	30Kg (66lb)
Maximum Extension From Wall	857mm (33.7")
Depth From Wall	100mm (3.9")
Product Weight	15Kg (33lb)
Packaging Dimensions	65 x 63 x 23cm (25.6 x 24.8 x 9")
Shipping Weight	20Kg (44lb)
Maximum Rotation	90° - Bi-directional
Movement Type	Manual
Mounting Patterns Supported	VESA 400, 300, 200, 100 W x 300, 200, 100 H
Product Options / Features	Specific B&O and Loewe mounts / adapters, Custom RAL paint finishes
Package Contents	Mechanism
Marine Suitable	No

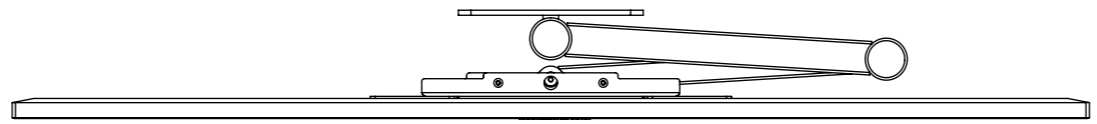
DA1 DOUBLE ARM BRACKET

MOVEMENT EXAMPLES

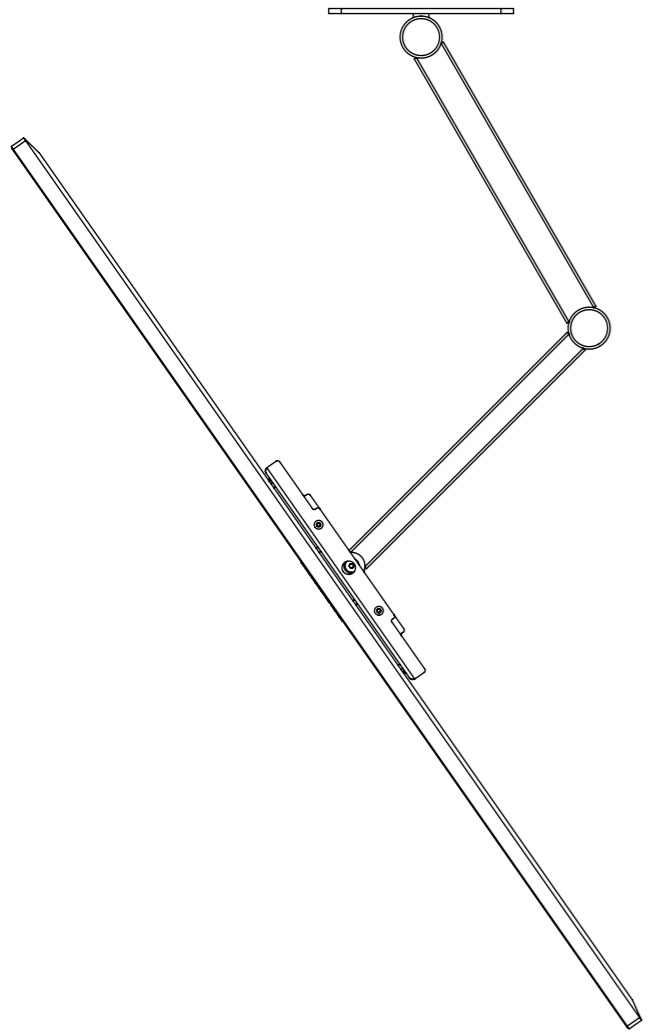
The DA Bracket can move into many different positions to create the most suitable viewing angle. The screen can parallel track out to the maximum extension and then rotate over 90 in either direction.

Other custom positions can be formed and with a smooth positive movement, the bracket will hold the screen securely in place.

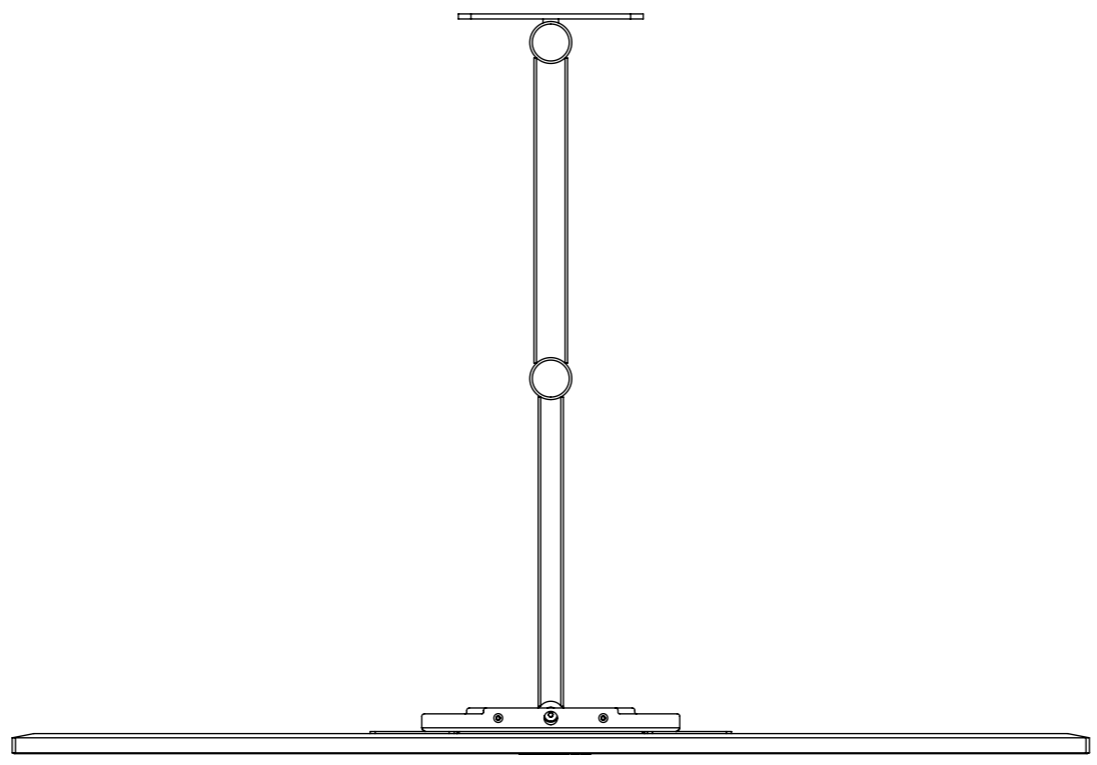
IN POSITION



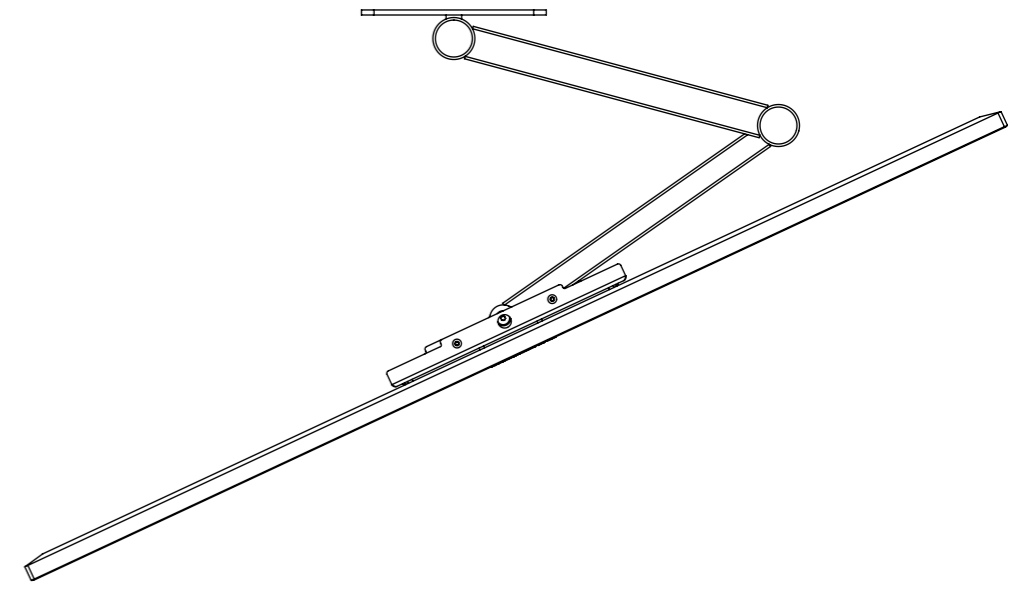
POSSIBLE VIEWING POSITION



OUT POSITION



POSSIBLE VIEWING POSITION

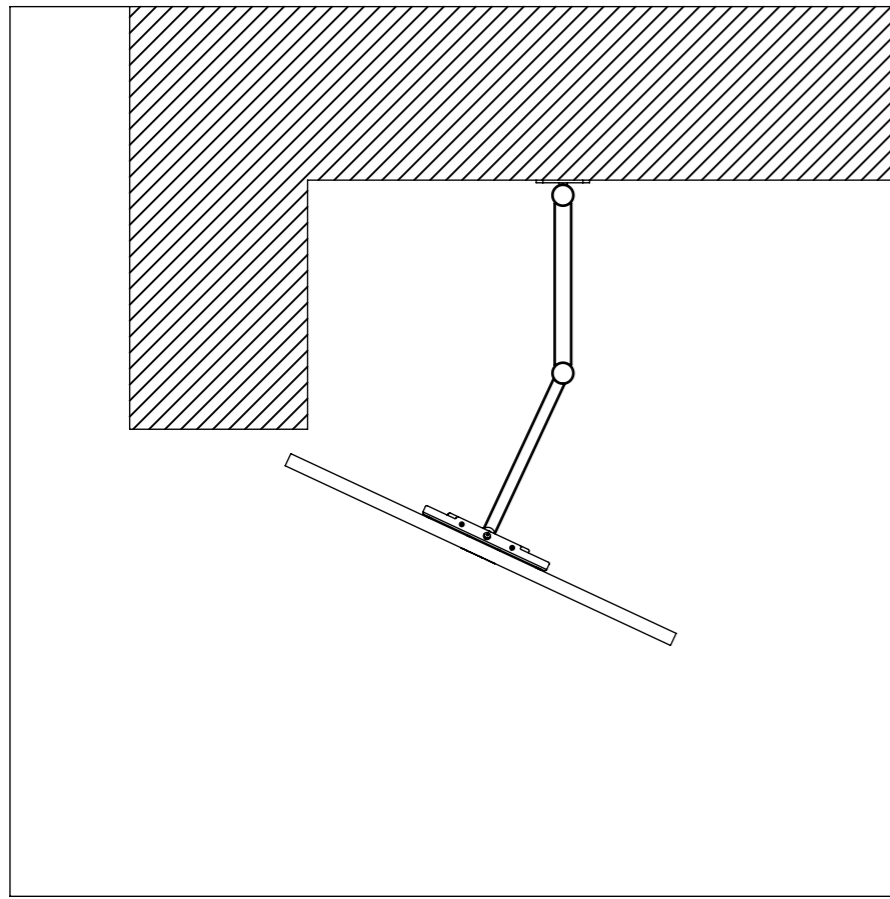


DA1 DOUBLE ARM BRACKET

WALL MOUNTING

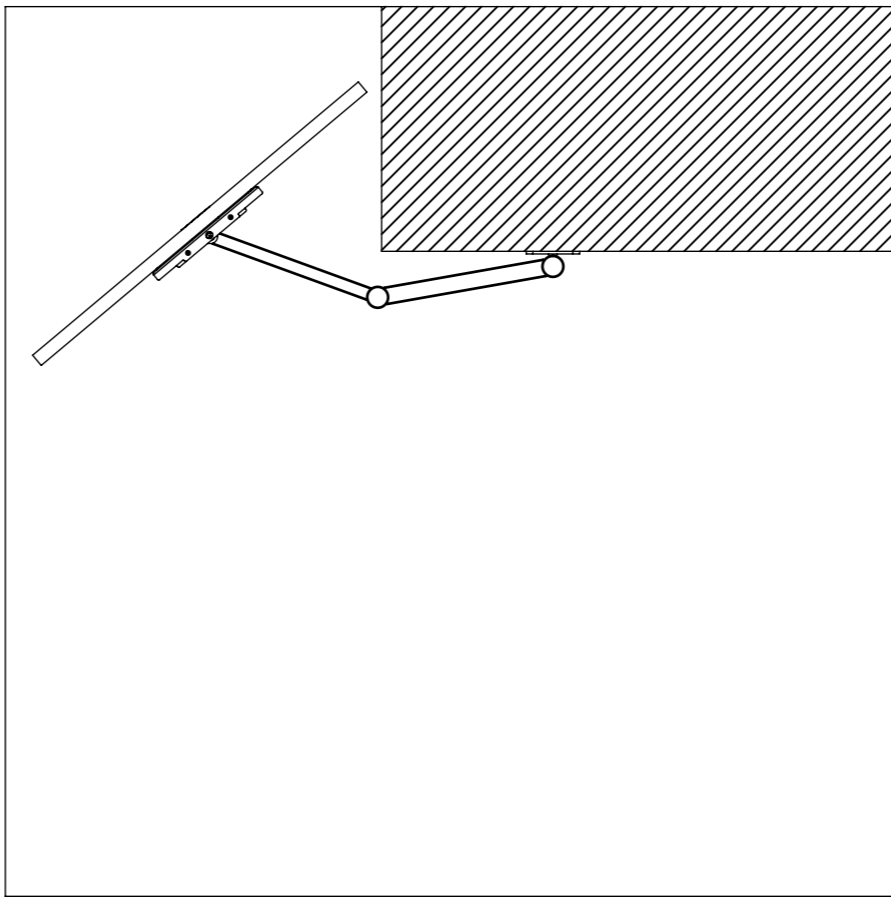
The DA wall bracket can be used as a solution for many installations. Below are some examples.

EXAMPLE 1.



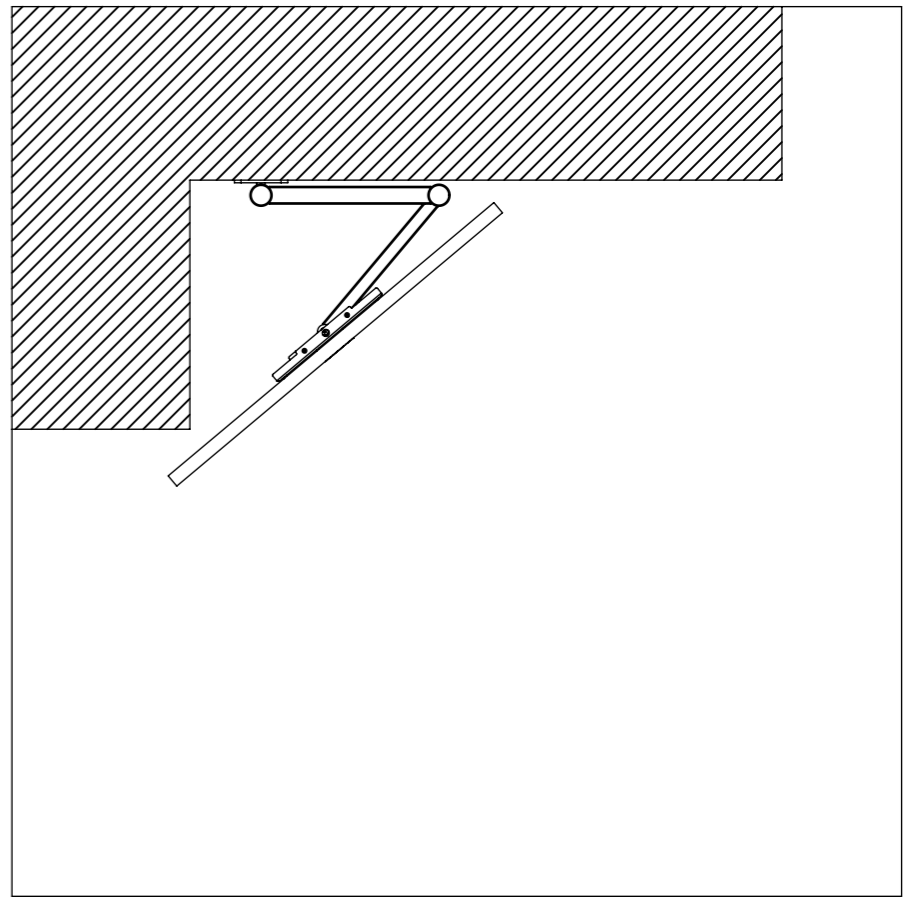
To store the screen in a deep recess and still be able to move the screen out and around to a required viewing angle.

EXAMPLE 2.



To store the screen facing one direction and still be able to move the screen up to 180 around a corner to another viewing area.

EXAMPLE 3.

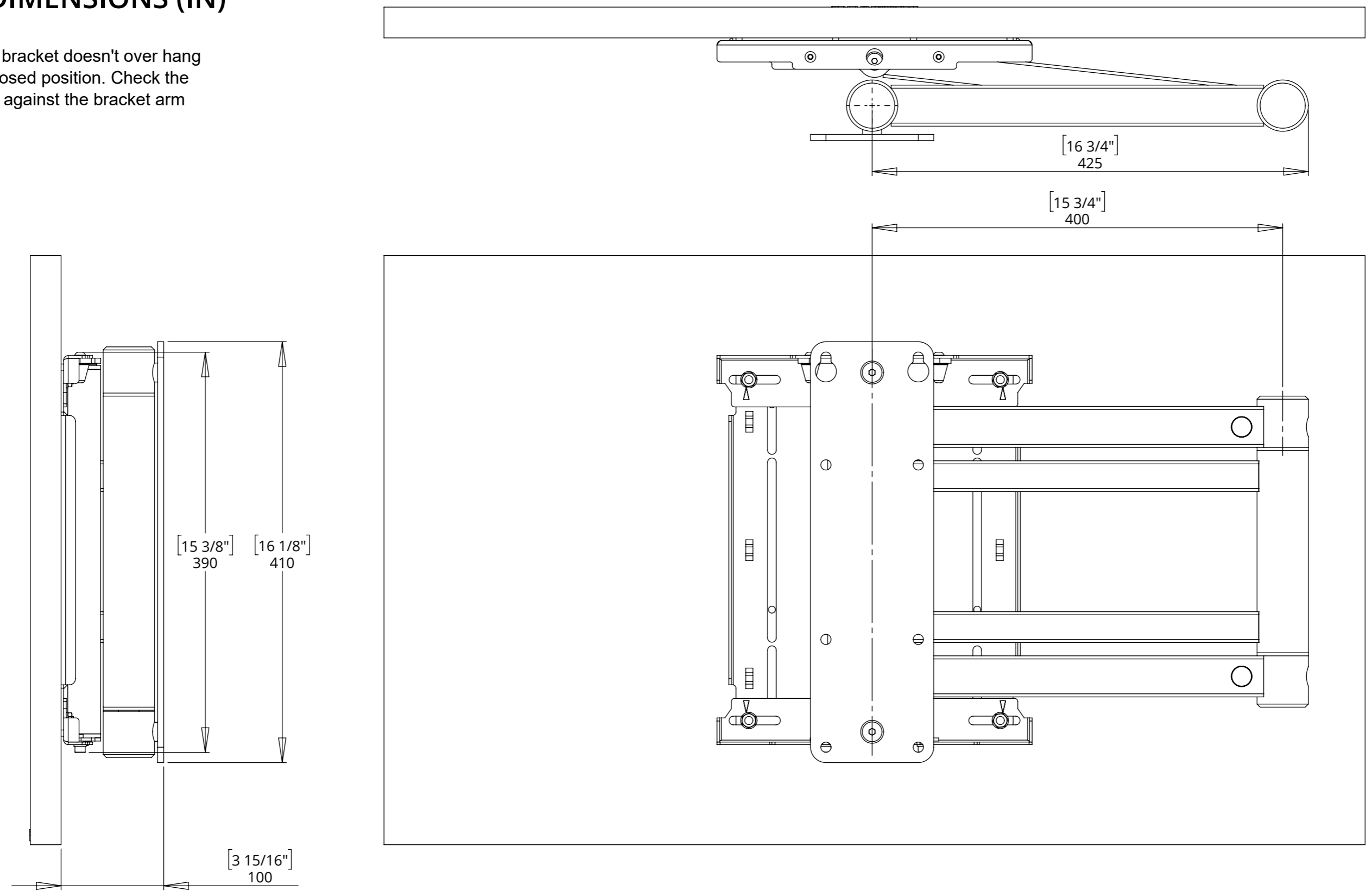


To fix the screen to one wall of a room corner installation.

DA1 DOUBLE ARM BRACKET

BRACKET DIMENSIONS (IN)

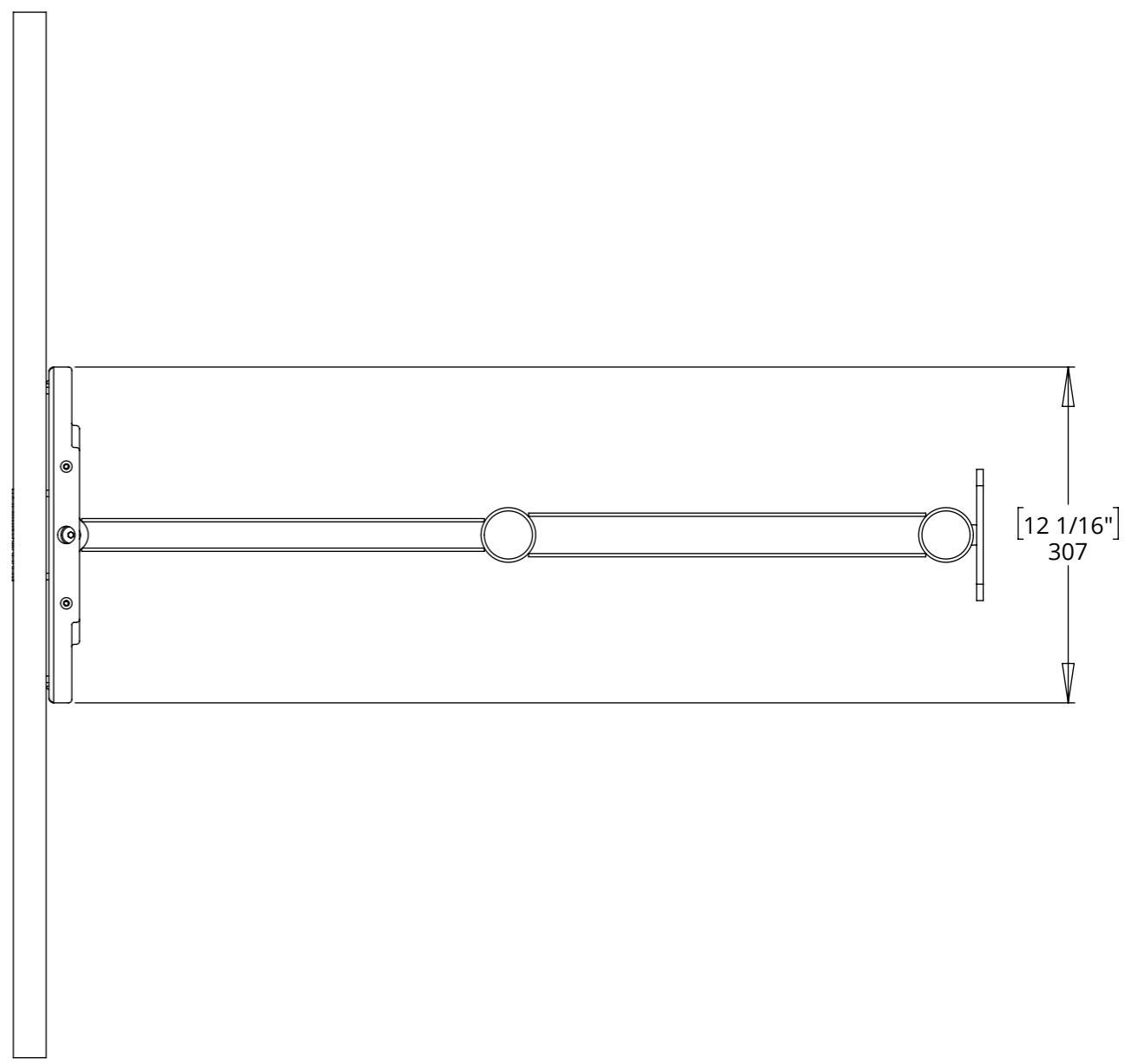
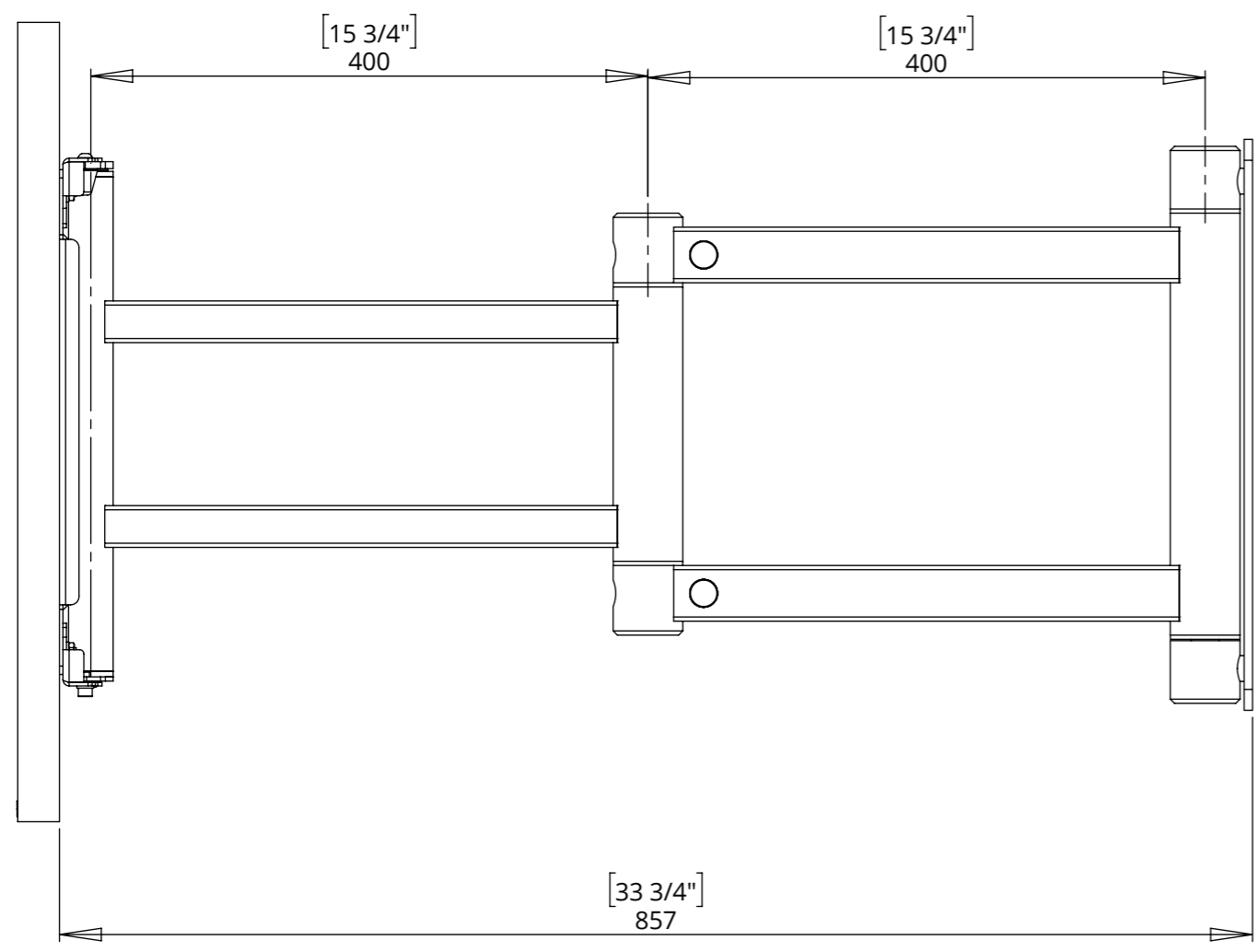
NOTE:
Make sure that the bracket doesn't over hang the screen in the closed position. Check the width of the screen against the bracket arm lengths.



DA1 DOUBLE ARM BRACKET

BRACKET DIMENSIONS (OUT MAX)

NOTE:
Make sure that the bracket doesn't over hang the screen in the closed position. Check the width of the screen against the bracket arm lengths.

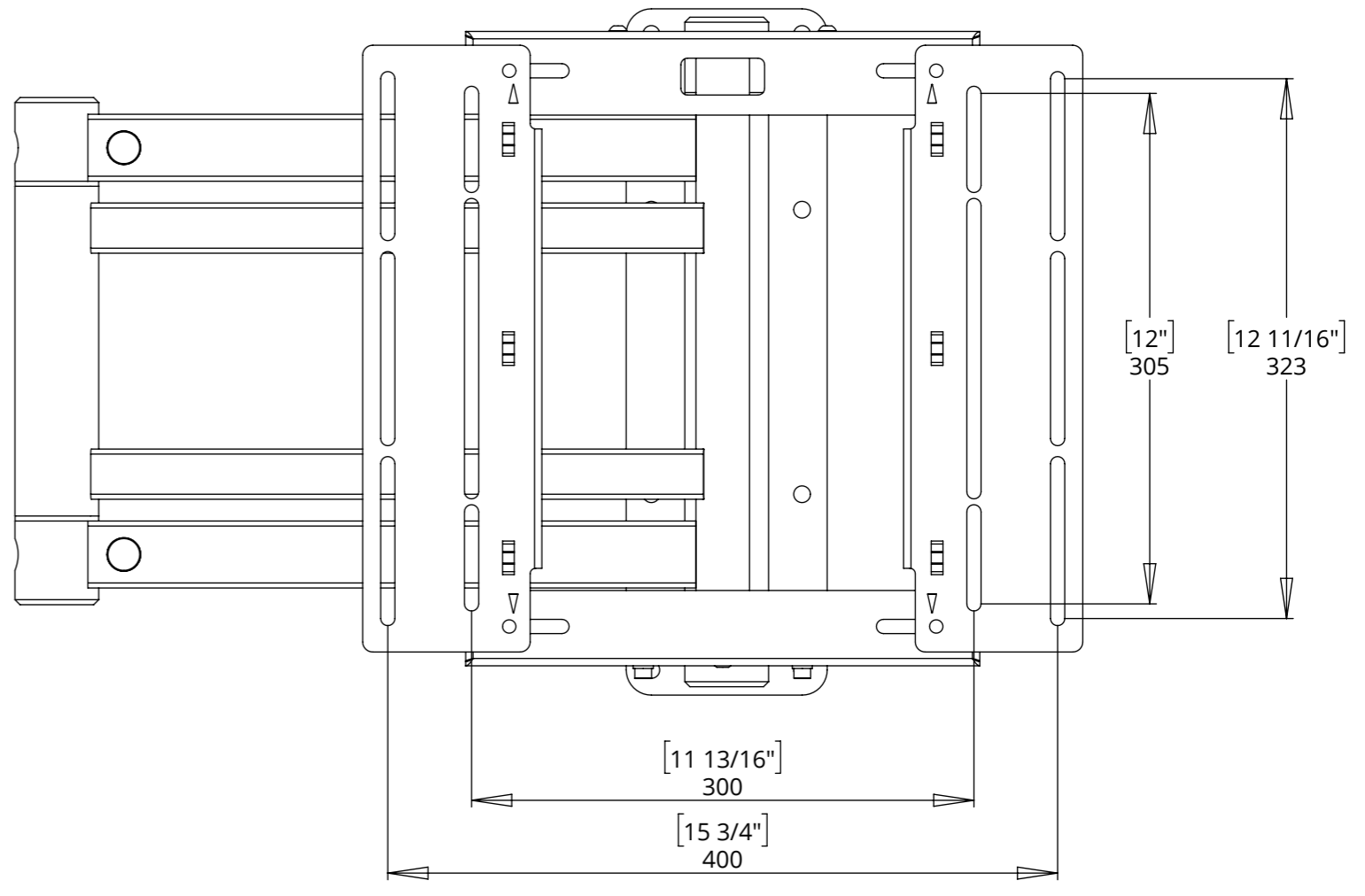
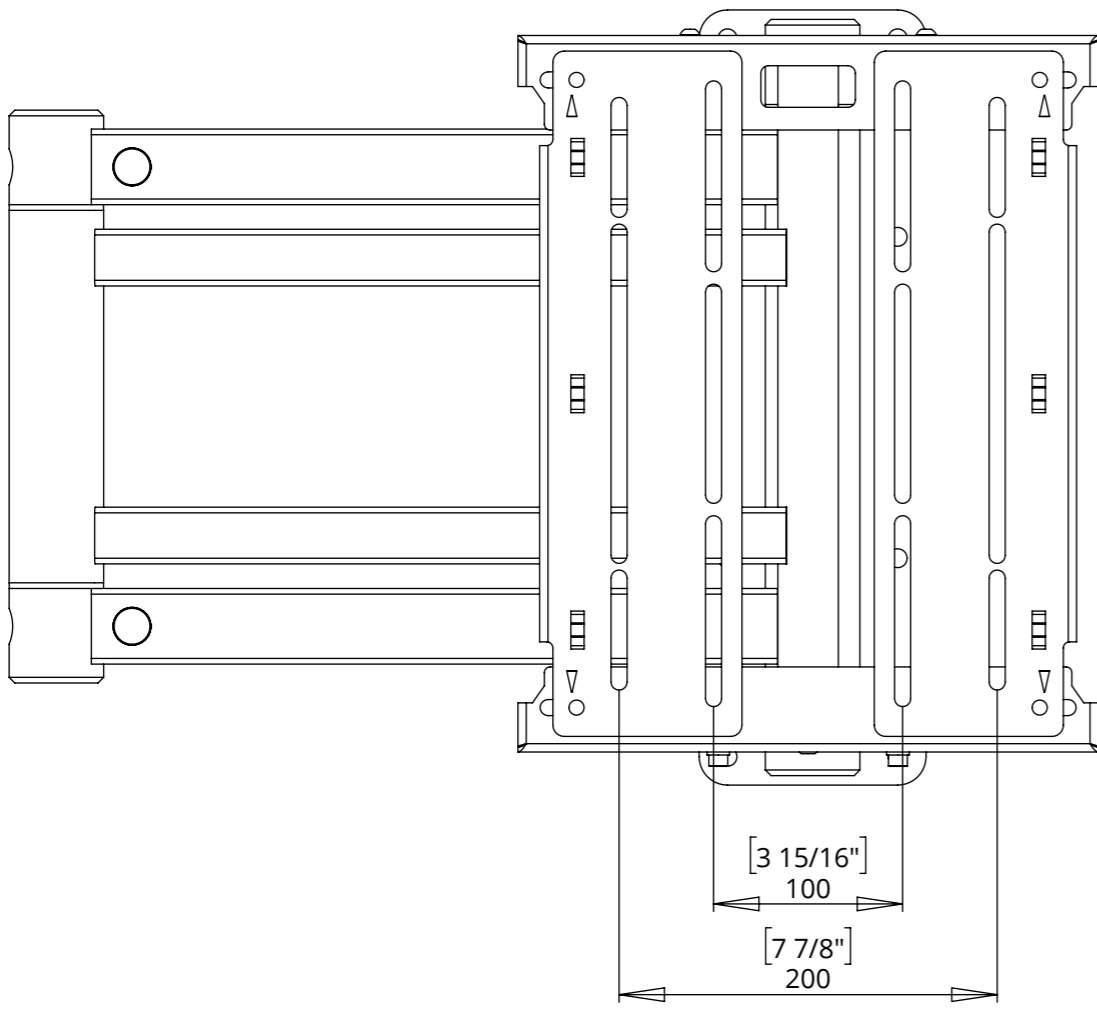


DA1

DOUBLE ARM BRACKET

SCREEN MOUNT CONFIGURATIONS

The DA1 utilises an adjustable slotted screen mount capable of fixing bolt patterns up to VESA 400 x 300.



DA1 DOUBLE ARM BRACKET



WALL PLATE DIMENSIONS

